

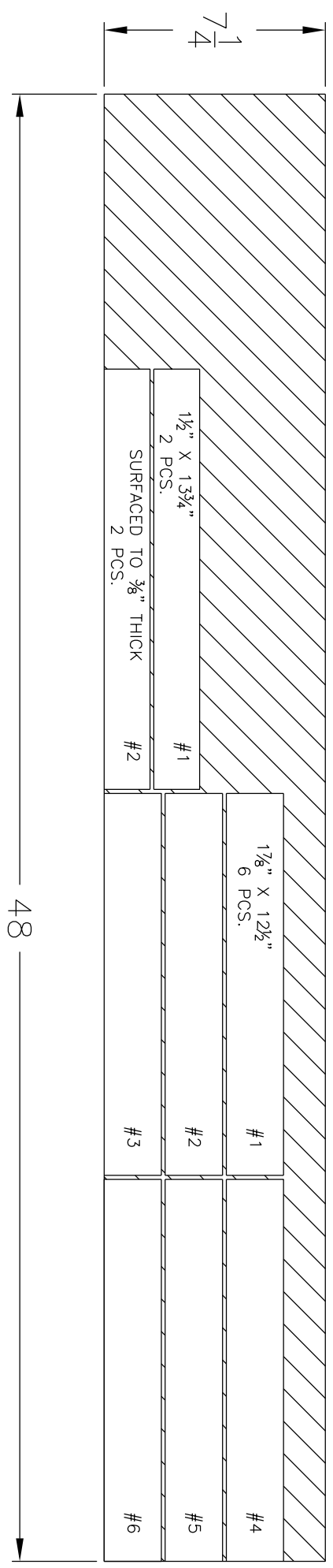
SPICE JAR RACK ASSEMBLY

**CY REBARCHAK**

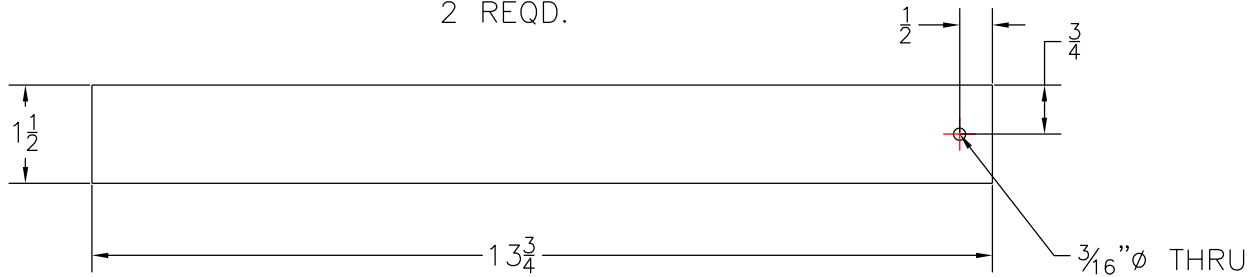
10-2009

SIZE		FSCM NO.		DWG NO.		REV	
				1009-002		A	

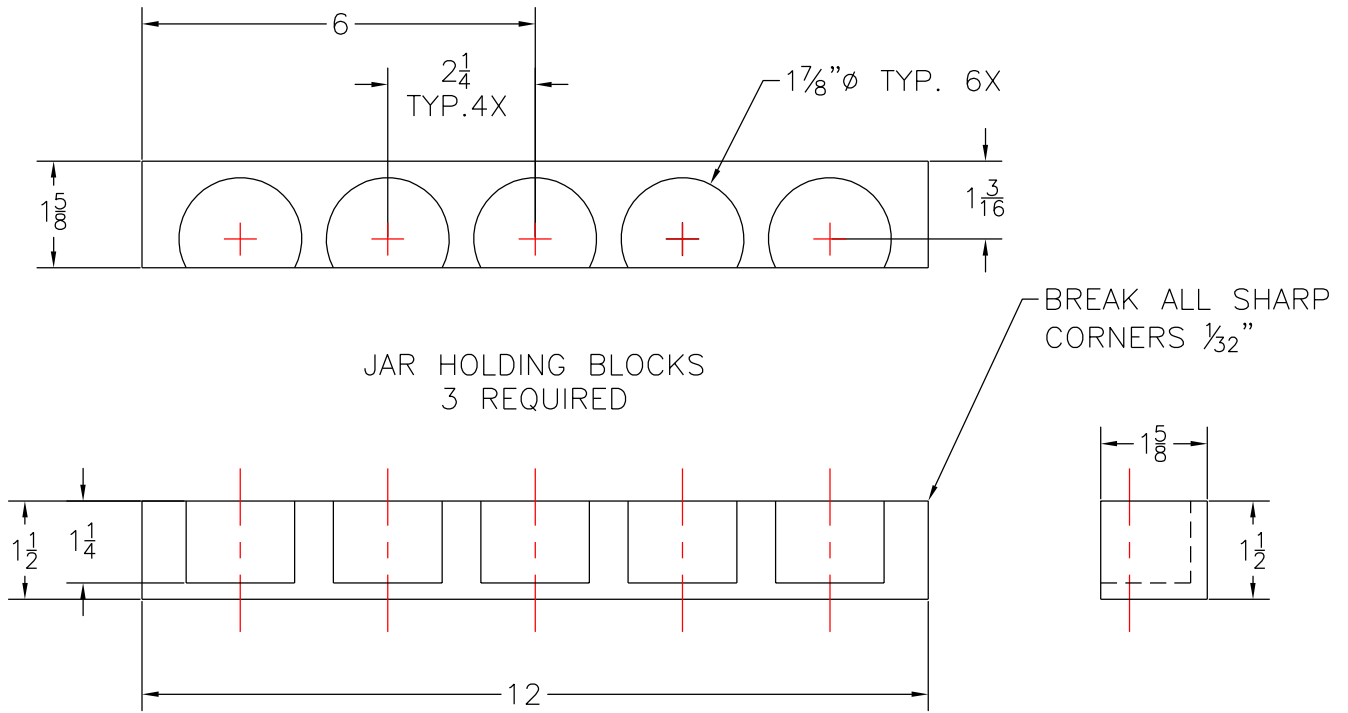
SPICE RACK PART CUTTING LAYOUT  
CUT FROM 1" X 8" X 48"



MOUNTING STRAPS  
2 REQD.



JAR HOLDING BLOCKS  
3 REQUIRED



MATERIAL—WOOD, OAK  
ALL SURFACES SAND  
SMOOTH

**CY REBARCHAK**

10-2009

SPICE JAR RACK  
PARTS FOR ASSEMBLY

SIZE

FSCM NO.

DWG NO.

1009-001

REV  
A