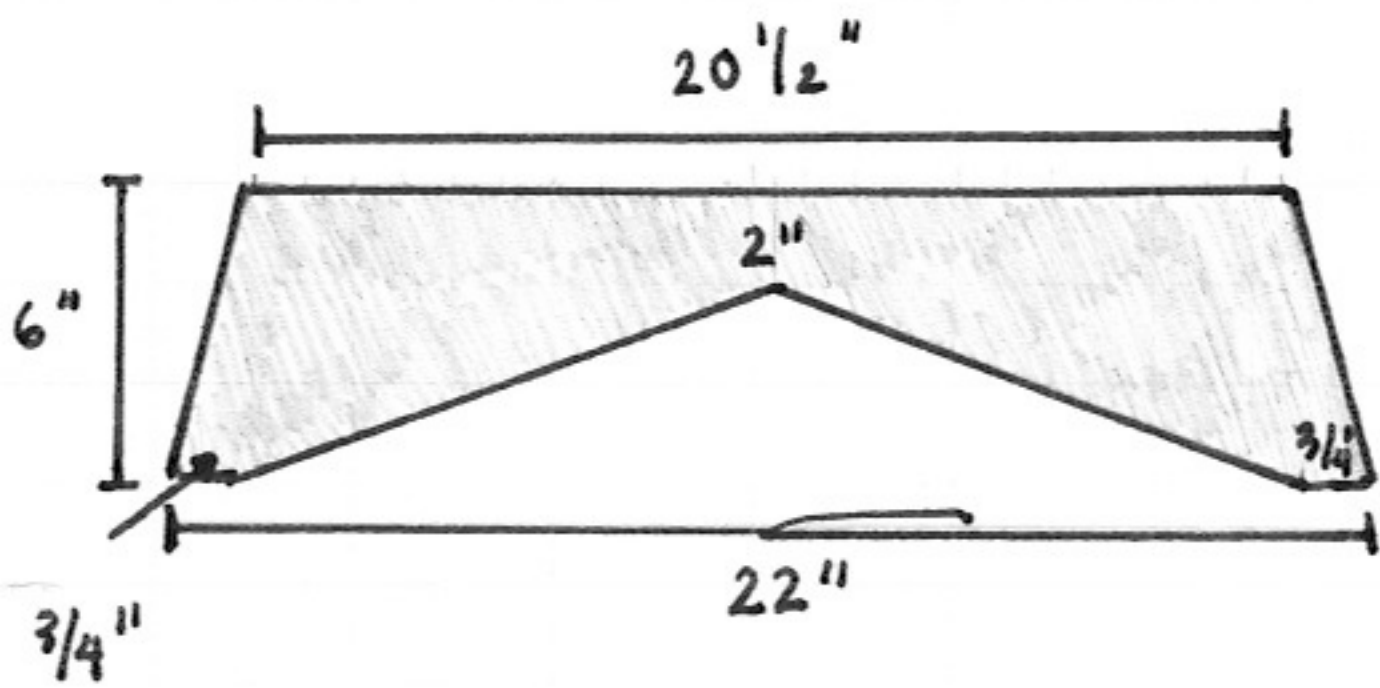


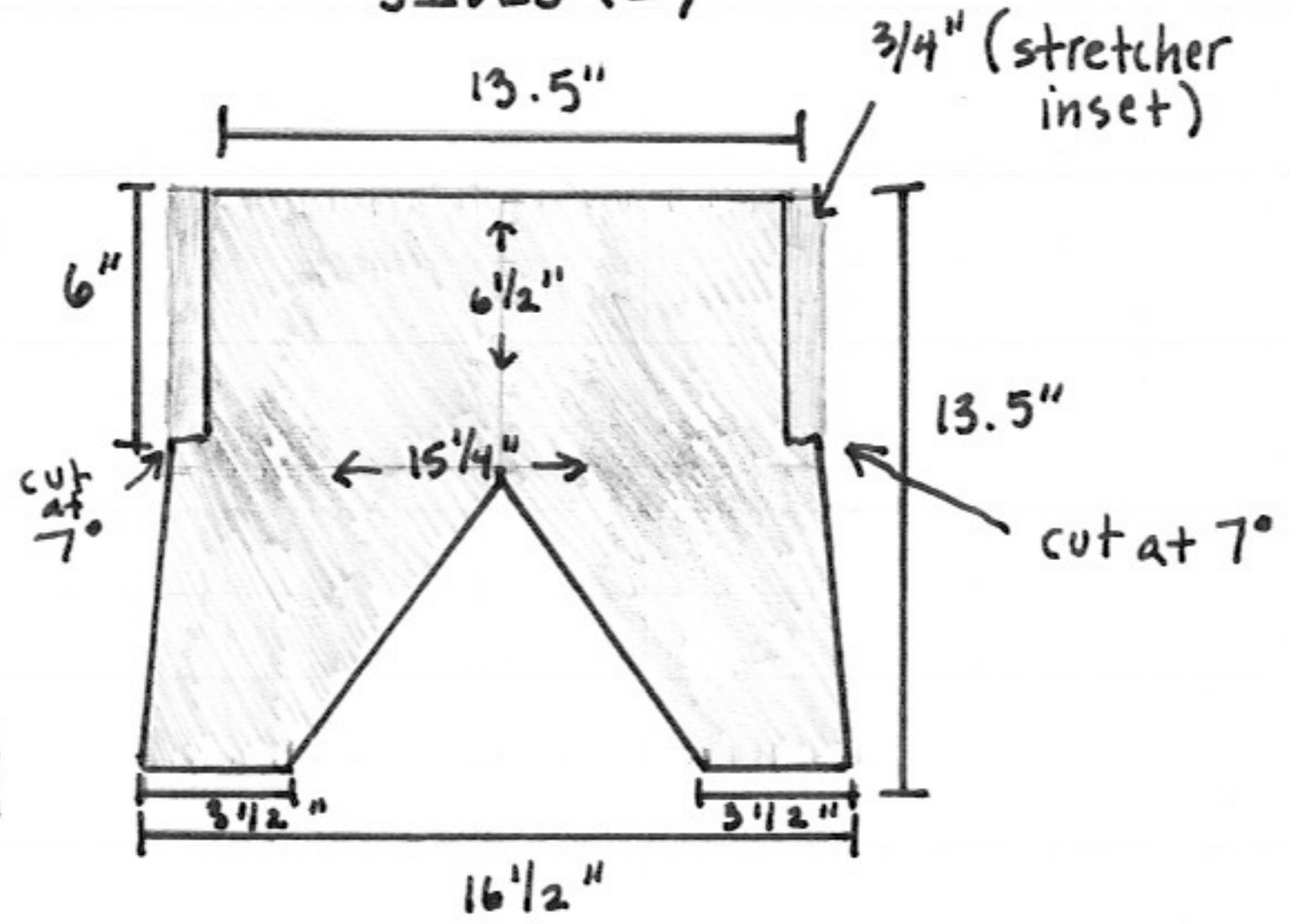
ORIGINAL RYCZKA

Scale is
 $\frac{1}{8}'' = 1''$ actual
 model/
 pattern

FRONT AND BACK STRETCHERS (2)

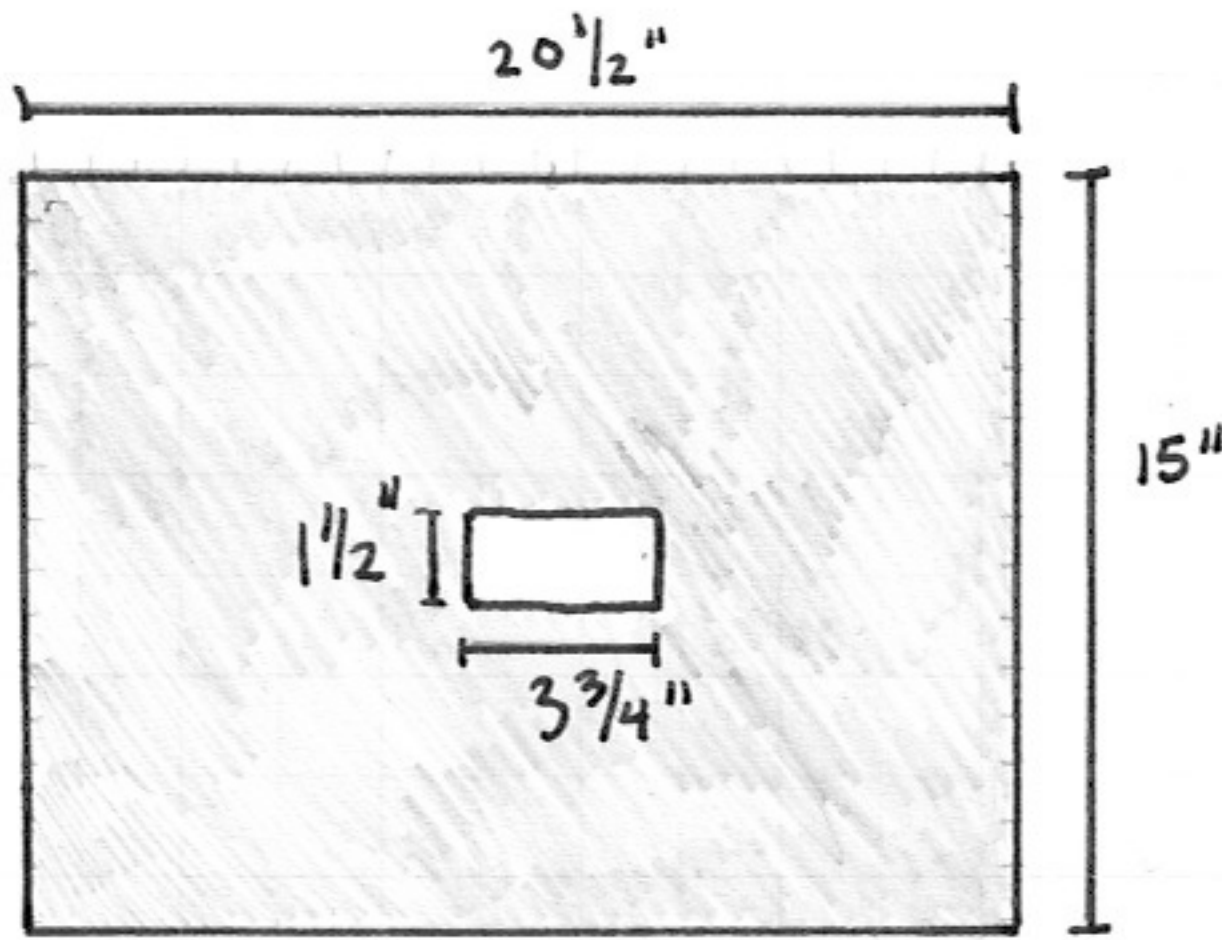


SIDES (2)

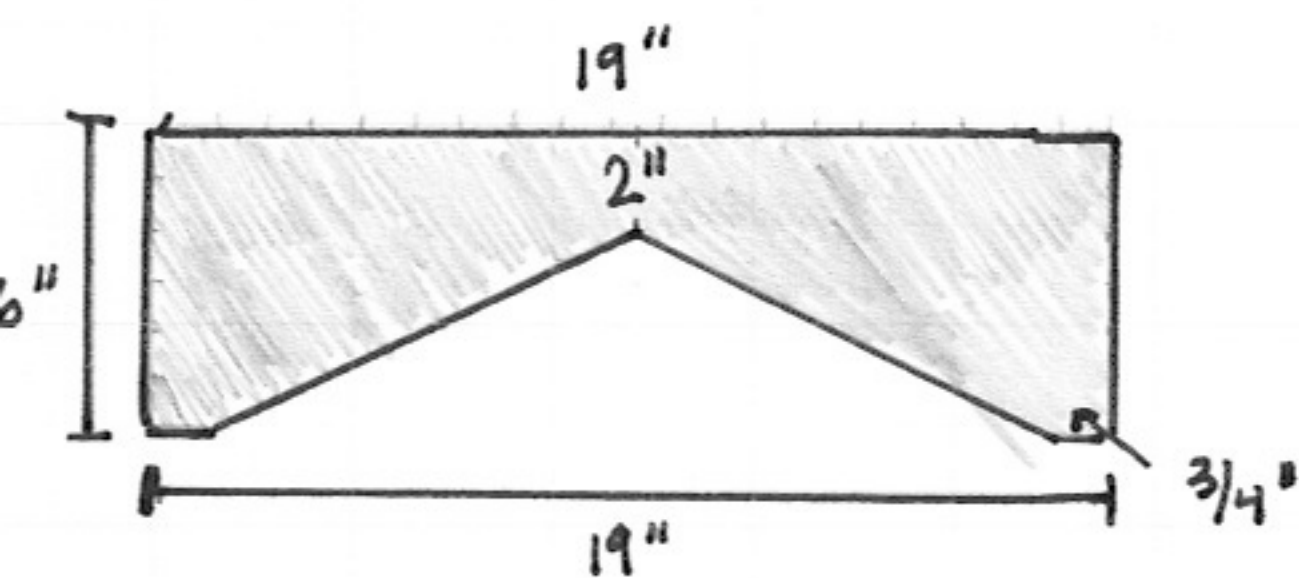


TOP
 (1)

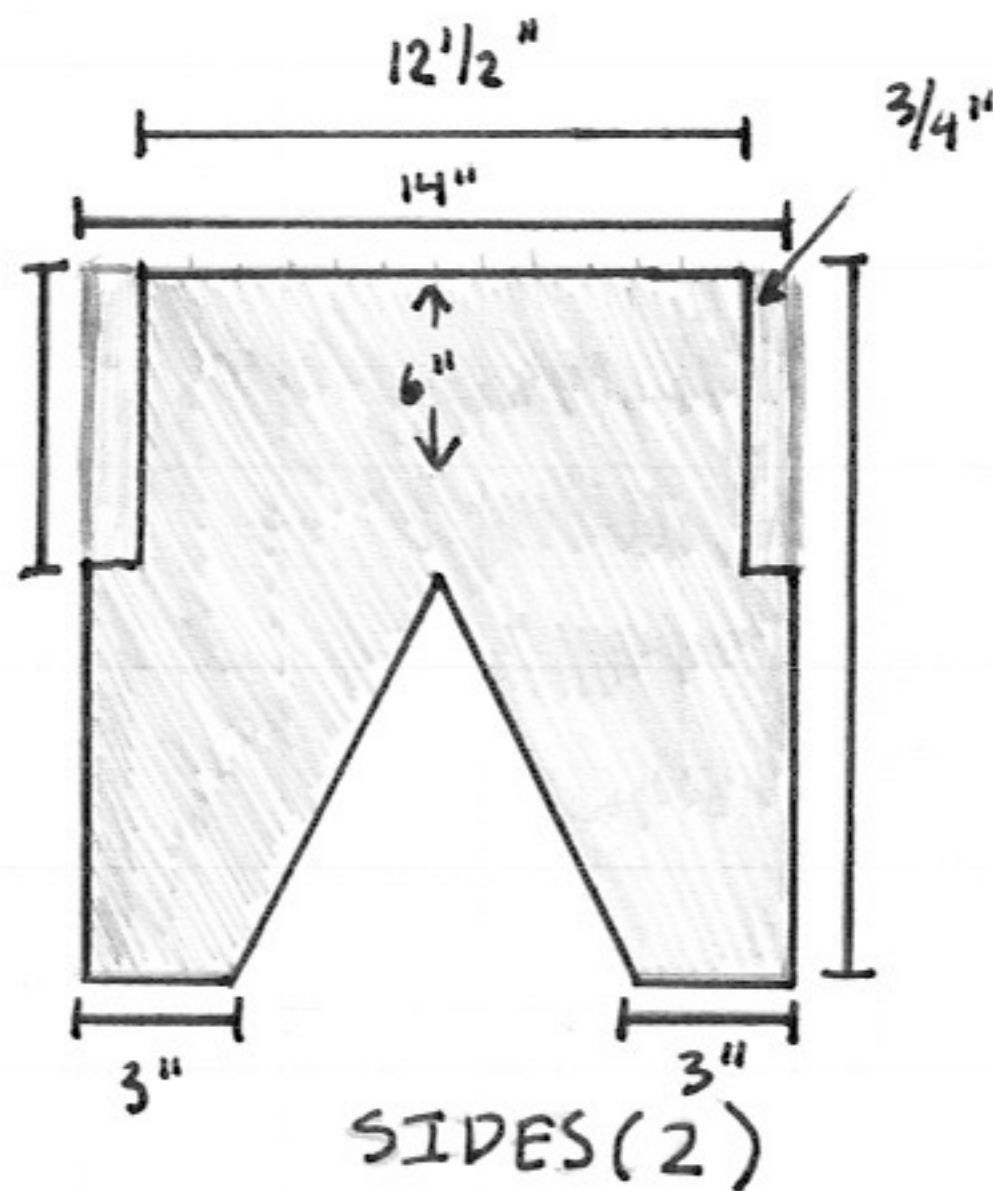
(the same for the original and simplified versions)



All material is
 $\frac{3}{4}''$ plywood



FRONT AND BACK STRETCHERS (2)



SIDES (2)

SIMPLIFIED RYCZKA